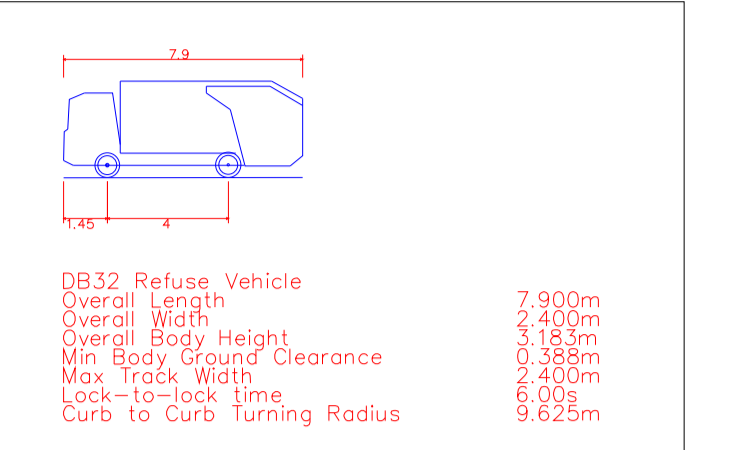


THE INFORMATION ON THIS DRAWING IS TO THE ORDNANCE SURVEY IRELAND ITM COORDINATE SYSTEM

LEGEND:



NOTES:

1. FIGURED DIMENSIONS ONLY TO BE TAKEN FROM THIS DRAWING.
2. ALL DRAWINGS TO BE CHECKED BY THE CONTRACTOR ON SITE.
3. ENGINEER/EMPLOYERS REPRESENTATIVE, AS APPROPRIATE, TO BE INFORMED BY THE CONTRACTOR OF ANY DISCREPANCIES BEFORE ANY WORK COMMENCES.
4. THE CONTRACTOR SHALL UNDERTAKE A THOROUGH CHECK FOR THE ACTUAL LOCATION OF ALL SERVICES/UTILITIES, ABOVE AND BELOW GROUND, BEFORE ANY WORK COMMENCES.
5. ALL LEVELS SHOWN RELATE TO ORDNANCE SURVEY DATUM AT MALIN HEAD.

Rev	Date	Description	By	Chkd.
P02	15.08.2022	Issued For Planning	PMC	BH
P01	08.07.2022	Draft Planning	PMC	BH

Client: Glenveagh Homes

Project: Residential Development, Ennis, Co. Clare.

Title: Autotrack Analysis Refuse Sheet 1 of 3

Scale @ A1: 1:500 / @A3 1:1000

Prepared by: PMC
Checked by: BH
Date: July 2022

Project Director: Brian Carroll

Drawing Status: Planning

TOBIN
CONSULTING ENGINEERS

Galway Office
Fairgreen House, Fairgreen Road,
Galway,
H91 AXK8,
Ireland.

Tel: +353 (0)91 565 211
www.tobin.ie

TOBIN Consulting Engineers will not be liable for any use of this document for any purpose other than that for which it was originally prepared and provided. Except where specified, all rights and liabilities shall remain with TOBIN Consulting Engineers. No copyright notice, no part of this document may be reproduced or transmitted in any form and this document shall not be used without the prior written consent of TOBIN Consulting Engineers.

Drawing No: 11269-2118 P02

